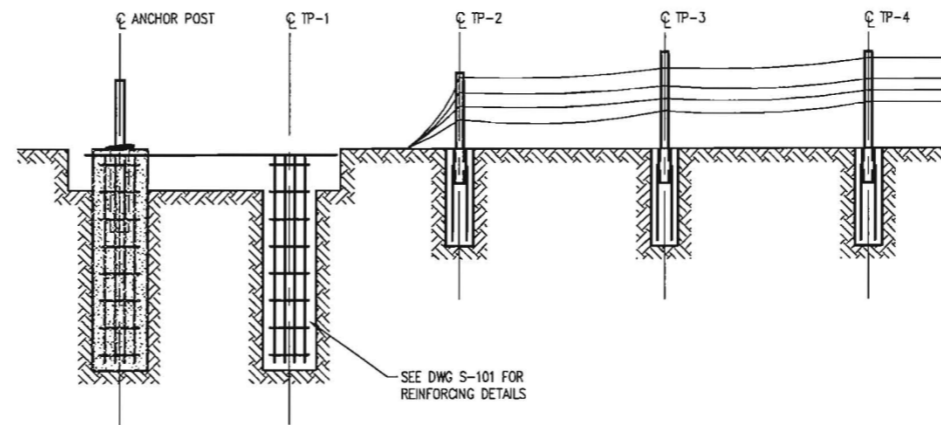
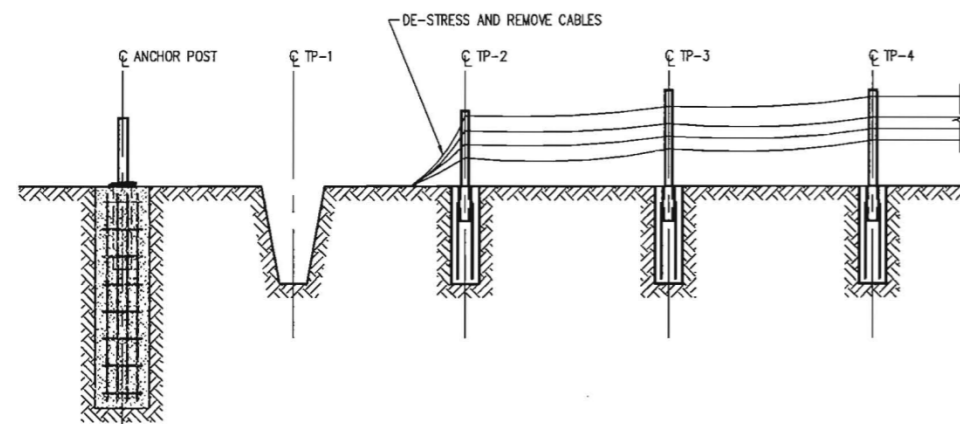


**EXISTING CONDITIONS**  
1:75

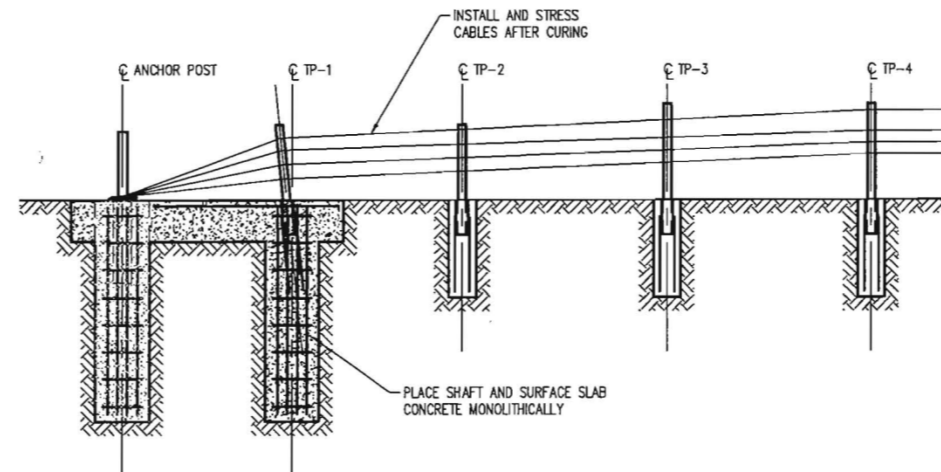
NOTE:  
REFER TO DRAWING "TL-4 4 CABLE SYSTEM LAYOUT WITH CONCRETE" BY GIBRALTAR CABLE BARRIER SYSTEMS FOR ADDITIONAL DETAILS.



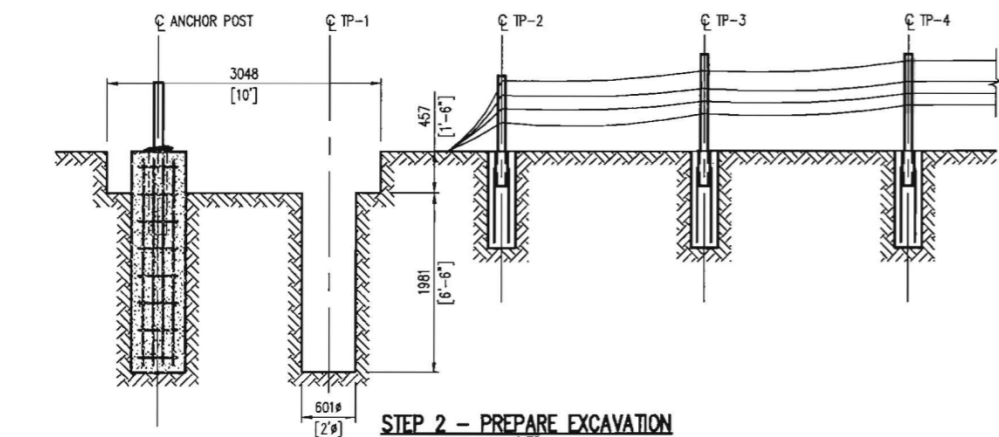
**STEP 3 - INSTALL REINFORCING STEEL**  
1:75



**STEP 1 - REMOVE TP-1**  
1:75



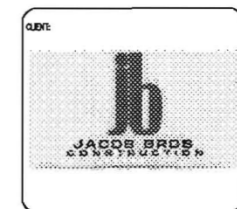
**STEP 4 - REINSTALL TP-1, PLACE AND CURE CONCRETE**  
1:75



**STEP 2 - PREPARE EXCAVATION**  
1:75

REV.	DATE	BY	REVISIONS
0	10.09.20	KN	ISSUED FOR CONSTRUCTION

REFERENCE DRAWINGS:
---------------------



DRAWN BY:	DATE:
KN	10.09.20
DESIGNED BY:	DATE:
DS	10.09.20
CHECKED BY:	DATE:
DS	10.09.20
JOB NUMBER:	
916-04	

THIS PLAN AND DESIGN ARE, AND AT ALL TIME SHALL REMAIN THE EXCLUSIVE PROPERTY OF SCOUTEN & ASSOCIATES ENGINEERING LTD. AND CANNOT BE USED OR REPRODUCED WITHOUT WRITTEN CONSENT.  
WRITTEN DIMENSIONS SHALL HAVE PRECEDENCE OVER SCALED DIMENSIONS.  
CONTRACTOR SHALL VERIFY AND BE RESPONSIBLE FOR ALL DIMENSIONS AND THIS OFFICE SHALL BE INFORMED OF ANY VARIATIONS FROM THE DIMENSIONS AND CONDITIONS SHOWN ON THE DRAWINGS.



**Scouten & Associates Engineering Ltd.**  
PROFESSIONAL ENGINEERING & TECHNICAL SERVICES  
201-1968 QUEENSWAY STREET  
PRINCE GEORGE, B.C.  
TEL (250) 562-7050  
FAX (250) 562-7052

CLIENT:	JACOB BROS. CONSTRUCTION
PROJECT:	HIGHWAY 99 CABLE BARRIER SYSTEM PHASE 2
DRAWING:	CABLE BARRIER SYSTEM ANCHOR POST REMEDIATION PROCEDURE
DRAWING No:	P-101
REV. No:	0

ISSUED FOR CONSTRUCTION

30 Sept 2020  
D. J. SCOUTEN  
PROFESSIONAL ENGINEER